



LED Tube Module

T9/T8

T9/T8

Tube PLCC LED Module

T9-T8-T5

Lead(Pb) Free Product-ROHS Compliant

Lighting System 10w/20W T5/T8
Technical Datasheet
Version 2.0

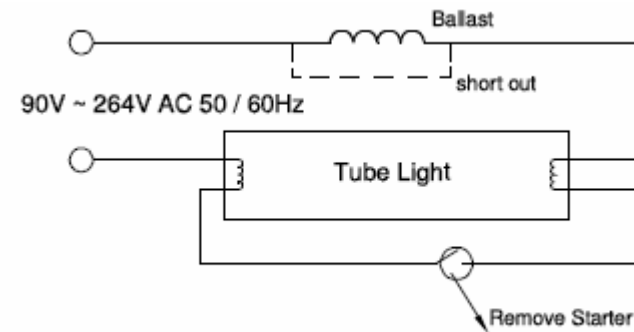
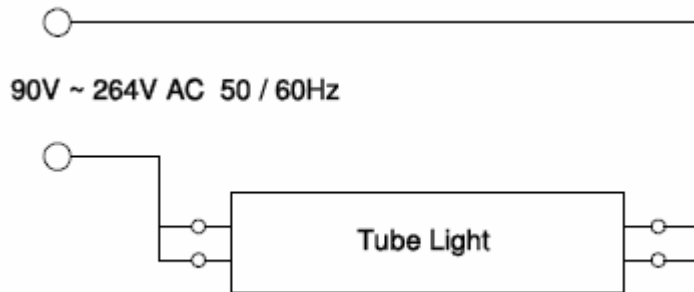


Features

- High-brightness
- Using small-chip PLCC shunt theorem
- Aluminum heat-sink base and no glare
- Support traditional fluorescent tube STD interfaces
- Anti-vibration .Eyes protection.
- Long life span (LED) 50000hr
- Using constant current with P.F.C mode

Installation

Installation MAP :



Note

- Please ensure working voltage conforms to that marked on the label attached on the tube.
- This product is directly connected to the power supply, no ballast or starter is needed.
- You can remove starter and bypass ballast in order to have better emerge saving as below.
- The product is only for indoor lighting purpose. IP 20

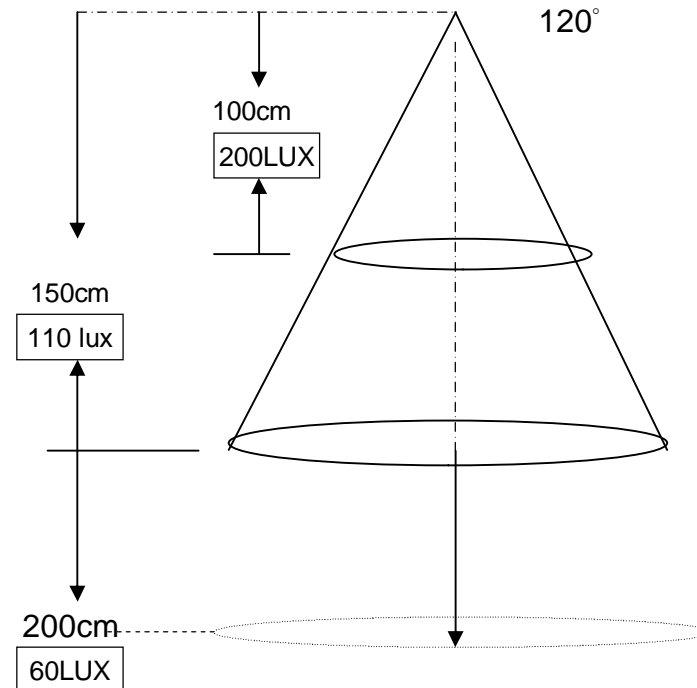
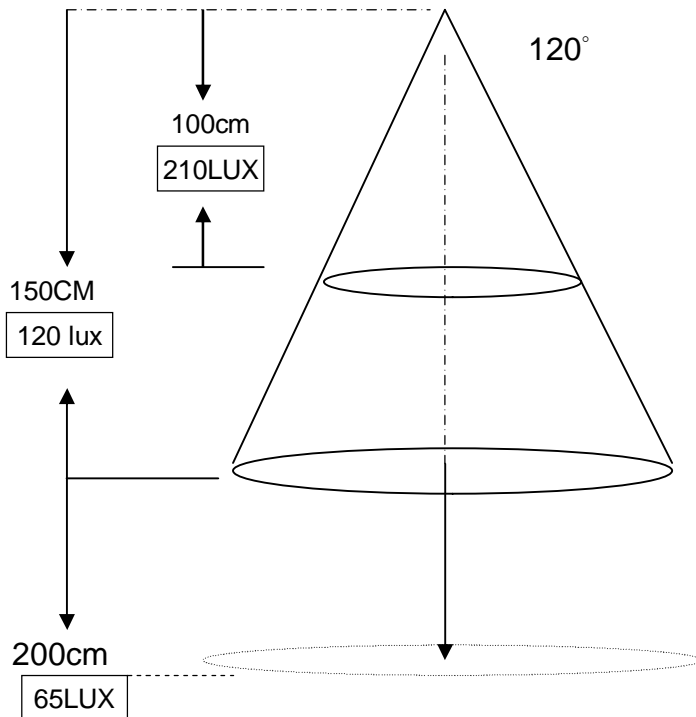
Optical Performance

White 6500k

Luminous E@1 M/10w		
Min	TYP	Max
190	210	230

Warm white 4000k

Luminous E @ 1 M/ 10w		
Min	TYP	MAX
180	200	220



Ver:1



Parameter of Module

Model	Power	Main Parameter
20NW-A1 40NW-A2	Power/ consumption 10w/12W 20w/22W	LED view angle:120 PLCC SMD
		Working temp:- :-5~+55°C
		Power Efficiency : >0.9
		Input ACV:Full range AC power(90~240V)
		Work frequency: 50~60Hz
		Size: L 580mm*30mm±1mm Size: L 1198mm*30mm±1mm
		Luminous flux: max> 210Lux @1 m for 10w Luminous flux: max> 420Lux@1 m for 20w
		Wave length: 6500±400K NW
		Power factor> 0.80
		CRI>73

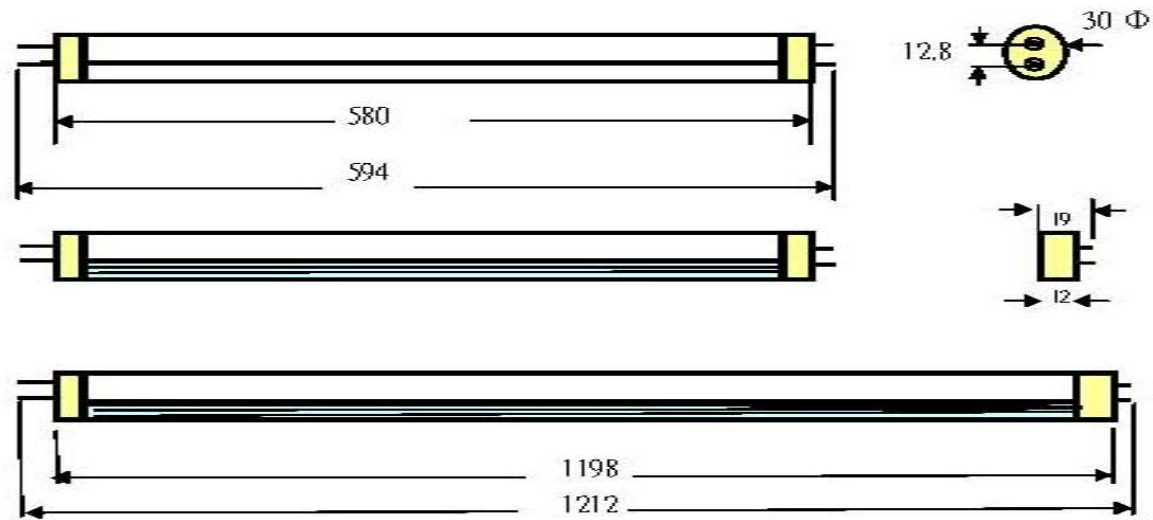


Parameter of Module

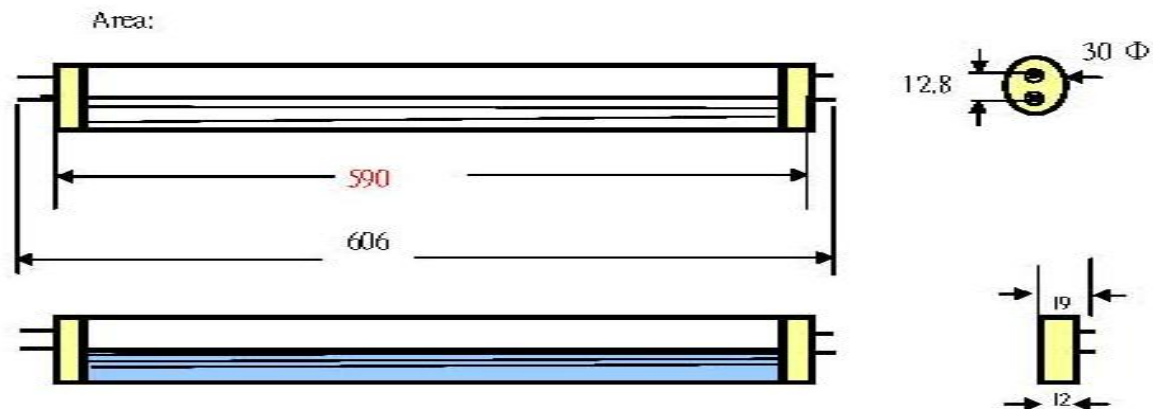
Model	Power	Main Parameter
20WW-A1 40WW-A2	Power/ consumption 10w/ 12W 20w/ 22W	LED view angle: 120° PLCC SMD
		Working temp:-5~+55°C
		Power Efficiency : >0.90
		Input ACV:Full range AC power (90~240V)
		Work frequency: 50~60Hz
		Size: L580mm*30mm±1mm
		Size: L1198mm*30mm±1mm
		Overall : L590mm*26/30mm±1mm
		Tube pins: 2.3m/m
		Wave length: 4000±350K WW
		Power factor> 0.80
CRI>80		



package

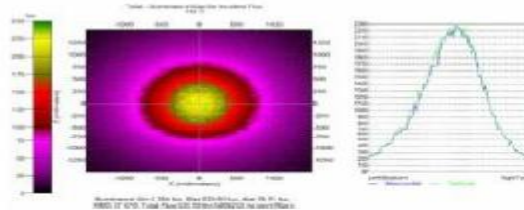


Unit: m/m

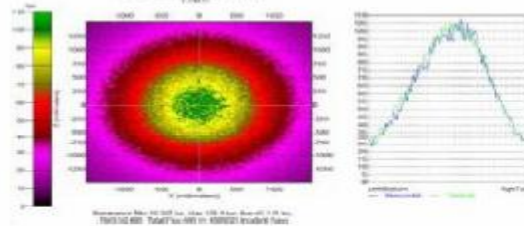


m

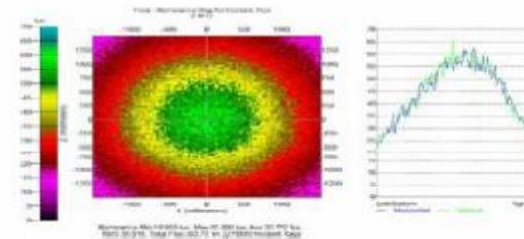
Illumination



1000mm :
Center average Illumination : **229.9 lux**



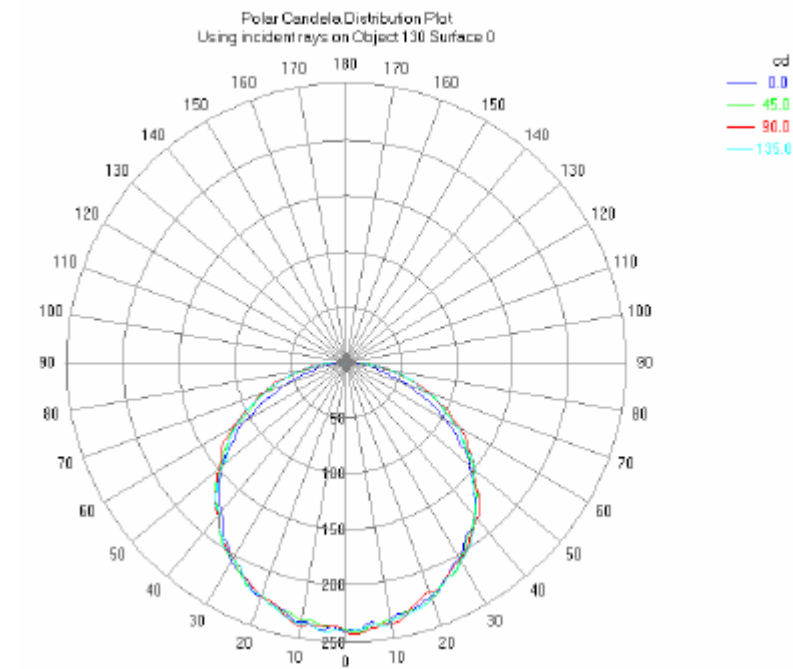
1500mm :
Center average Illumination : **109.1 lux**



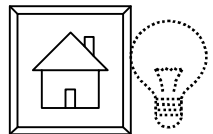
2000mm :
Center average Illumination : **65.9 lux**

- Average Illumination(1000mm) \doteq Average Illumination(1500mm)*2.09
- \doteq Average Illumination(2000mm)*3.48

Radiation Pattern



- Beam angle:120 deg



INDOOR ONLY

Power	Model	Main Parameter
<input type="checkbox"/> Inside	Wave length: <input type="checkbox"/> 6500±400K NW <input type="checkbox"/> 4000±350K WW <input type="checkbox"/> 3000 ±300K WW	LED view angle: 120° PLCC
<input type="checkbox"/> outside		Working temp:- 5 ~ +50°C
<input type="checkbox"/> 10w / 12W		ACV rang: <input type="checkbox"/> 100V <input type="checkbox"/> 220V <input type="checkbox"/> Full rang
<input type="checkbox"/> 20w / 22W		Work frequency: 50 / 60Hz
10W-A1		Power efficiency > 0.9
20W-A2		CRI > 70
		PF > 80
		Size:A1 L: 580mm*30mm±1mm
		Size: A2 L: 1198mm*30mm±1mm
		QA :
	Area :	
	Data code:	

